

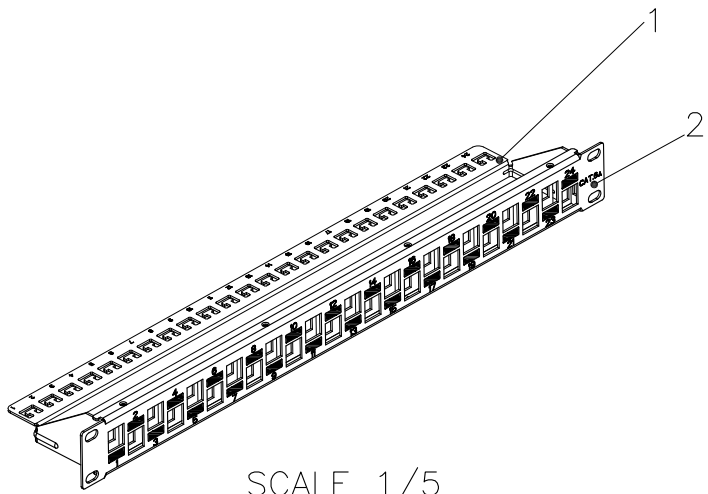
1 2 3 4 5 6

A

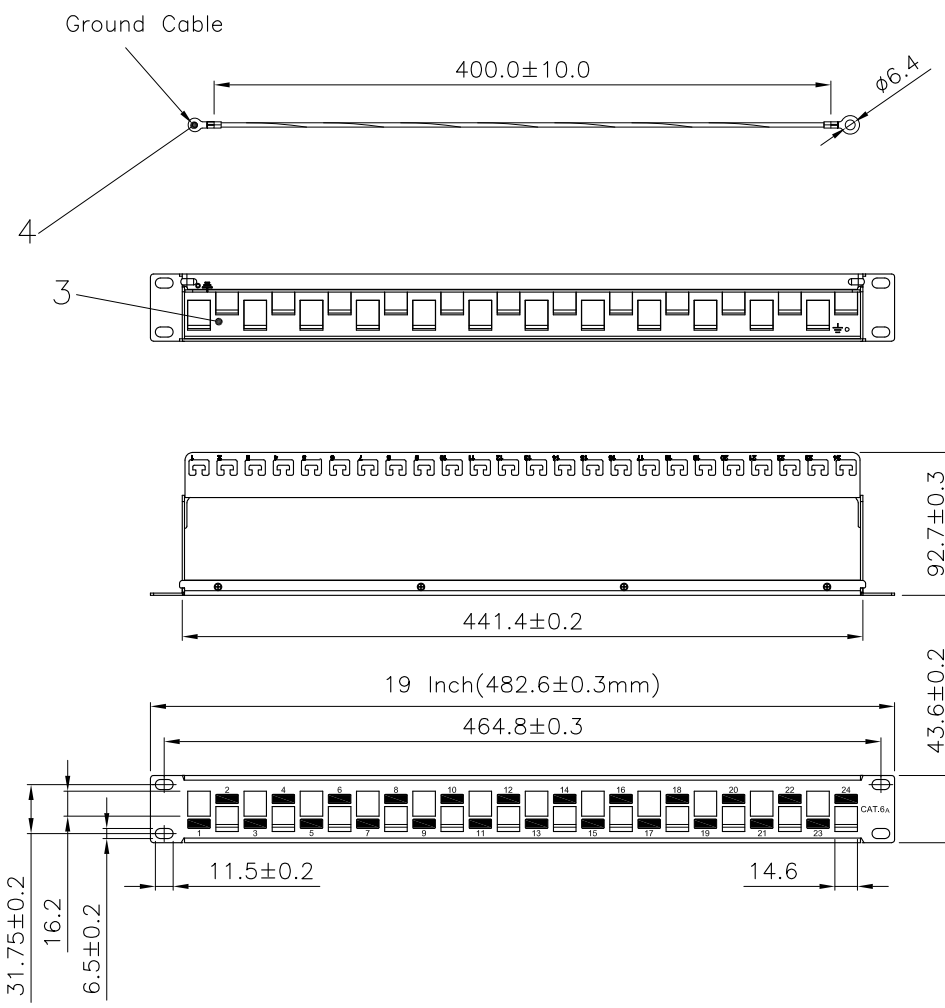
B

C

D



SCALE 1/5



Specification :

Material :

1. Support Bar : SPCC, 1.5mm thickness with Black (RAL 9005) color painted.
2. Top Case : SPCC, 1.5mm thickness with Black (RAL 9005) color painted.
3. Base Case : SPCC, 1.5mm thickness 5~8um nickel plate.
4. Ground Cable : 18 AWG Wire, with Green/Yellow striped color, length 40 cm.

GENERAL TOLERANCE OF DIMENSIONS X.XXX ±0.005 X.XX ±0.05 X.X ±0.1	DRAWING	11.NOV.2010	XIEYUE	<b>DELCK</b> we move the world
	CHECK	11.NOV.2010	DAY	
	APPROVAL	11.NOV.2010	JAIMY	ITEM NO.:
	SCALE	1/5(A4)	UNIT	mm
DRAWING NO.		DRAWING CLASSIFICATION		
DRAWING CLASSIFICATION				
S		SHEET	1	1

1 2 3 4 5 6

A

B

C

D