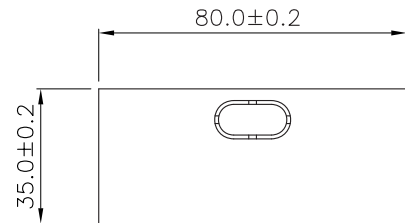
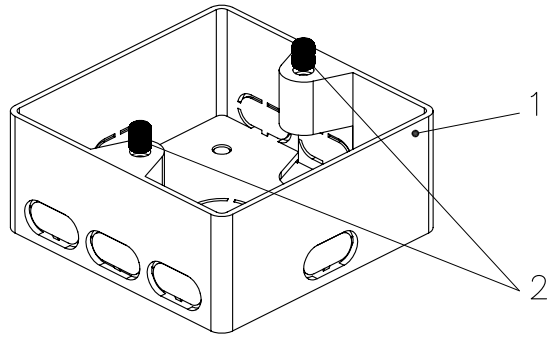
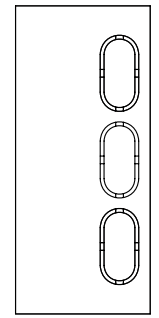
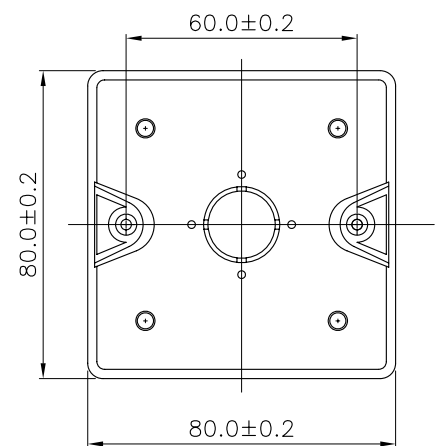
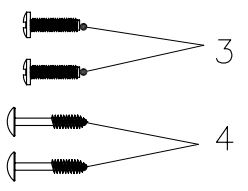


1 2 3 4 5 6

A



B



B

C

SCALE 1/2


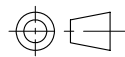

Remark :

(1) XX : Color
05=White, 13=Ivory.

C

Specification :

- Material :
1. Box : ABS, UL 94V-0, with optional color.
 2. Screw nut : $\phi 5.5 \times 6.5$ mm.
 3. Screw : M3.5x12.8x6.6mm.
 4. Screw : M3.5x19.0x7.5mm.

GENERAL TOLERANCE OF DIMENSIONS X.XXX ±0.005 X.XX ±0.05 X.X ±0.1	DRAWING			 we move the world
	CHECK			
	APPROVAL			
		DATE	NAME	ITEM NO.:
	SCALE	(A4)	UNIT	
		DRAWING NO.		
		DRAWING CLASSIFICATION		

D

1 2 0 3 4 10cm 5