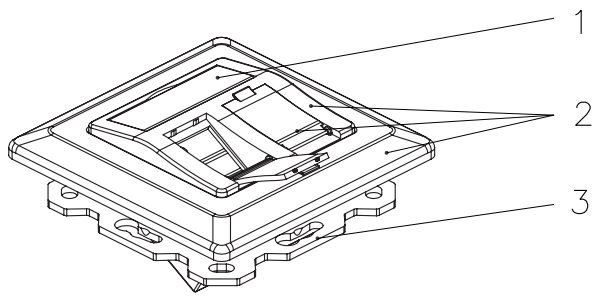


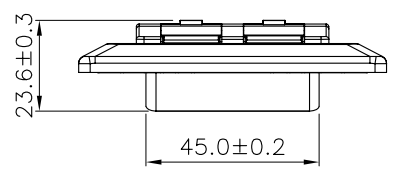
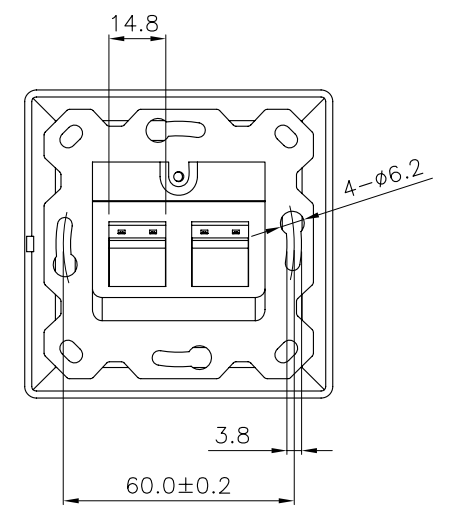
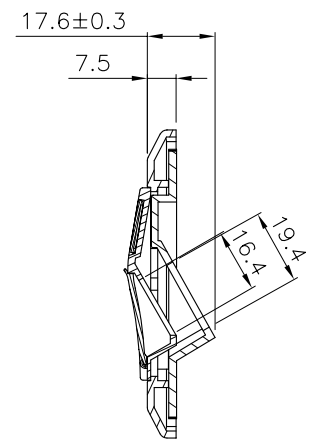
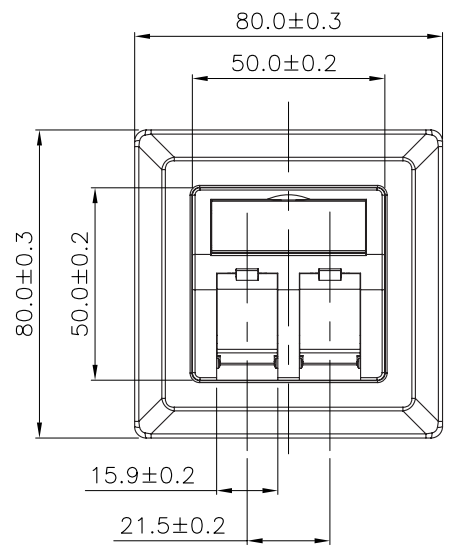
1 2 3 4 5 6

A

A



SCALE 1/2



B

B

C

C

Specification :

- Material :
- 1-1. I.D. Plate : PVC, Transparent color.
 - 1-2. Paper.
 - 1-3. Frame : ABS, UL 94V-0.
 2. Flush Plate : ABS, UL 94-HB.
 3. Shield : Zinc Die-casting.

GENERAL TOLERANCE OF DIMENSIONS X.XXX ±0.005 X.XX ±0.05 X.X ±0.1	DRAWING	15.MAR.2010	QIQI	DELLOCK® we move the world
	CHECK	15.MAR.2010	JANE	
	APPROVAL	15.MAR.2010	JAIMY	ITEM NO.:
	SCALE	1/2 (A4)	UNIT	mm
DRAWING NO.		DRAWING CLASSIFICATION		S SHEET 1 OF 1

D

1 2 3 4 5 6

10cm

